



ULR-IN-HWDR-450W

LED INDOOR ELECTRONIC RIBBON LIGHT HARDWIRE DRIVER

TECHNICAL SPECIFICATIONS:

- Output power: 450W
- Output Current: 0~18.8A
- Output DC Voltage: 24V
- Setup, Rise time: 1500ms, 50ms/230VAC
1500ms, 50ms/115VAC at full load
- Hold up time: 16ms/230VAC 12ms/115VAC at full load
- Leakage Current: <2.5mA / 240VAC
- Efficiency: 86%

FEATURES:

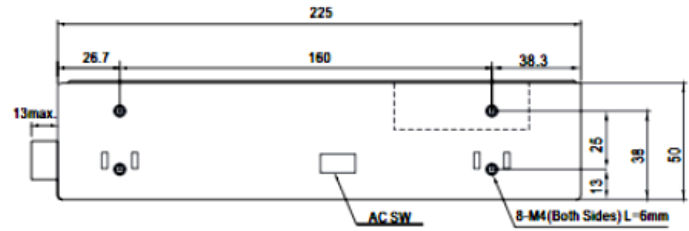
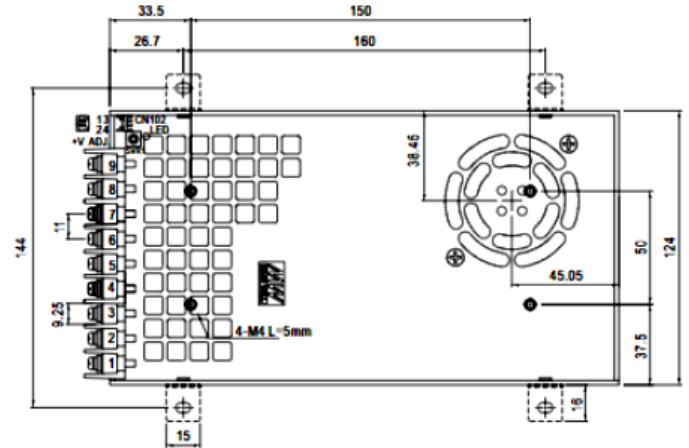
- LED indicator for power on
- AC input active surge current limiting
- AC input range selected by switch
- Operating temperature: up to 158°F
- Protections: Short circuit, Overload, Over voltage, Over Temperature
- Force air cooling by built-in DC ball bearing fan
- Built-in remote sense function
-

CERTIFICATIONS:



DIMENSIONS:

9.5"(L) X 5"(W) X 2"(H) inch



MODEL	OUTPUT CURRENT	OUTPUT POWER	OUTPUT VOLTAGE
ULR-IN-HWDR-450W	0~18.8A	450W	24V

SAFETY & EMC:

- Safety Standards: IEC/UL 62368-1, BSMI CNS14336-1, EAC TP TC 004,KC K60950-1 (for LRS-350-12/24 only) approved
- Withstand Voltage: I/P-O/P:3KVAC I/P-FG:2KVAC O/P-FG:0.5KVAC
- Isolation Resistance: I/P-O/P, I/P-FG, O/P-FG:100M Ohms/500VDC
- EMC Emission: Compliance to BSMI CNS13438, EAC TP TC 020,KC KN32 KN35
- EMC Immunity: Compliance to EAC TP TC 020,KC KN32 KN35

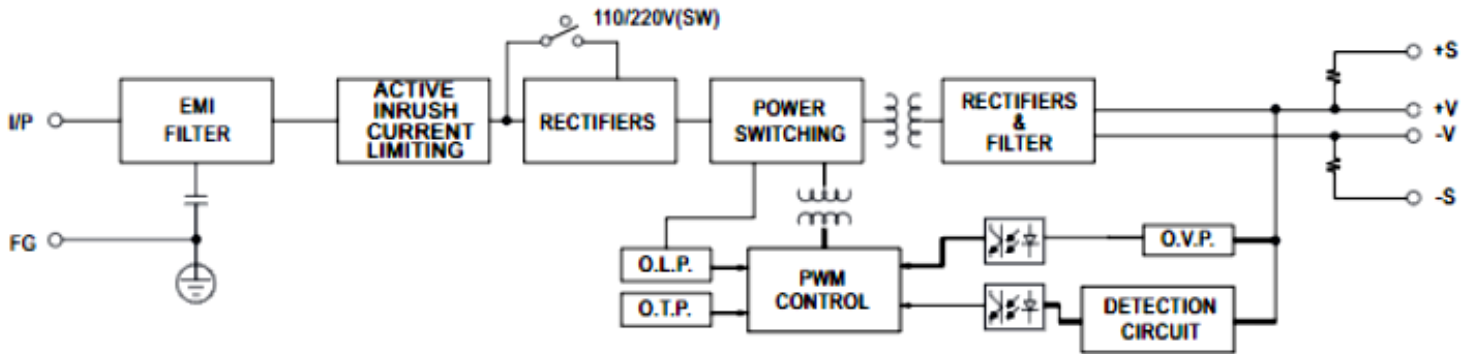


ULR-IN-HWDR-450W

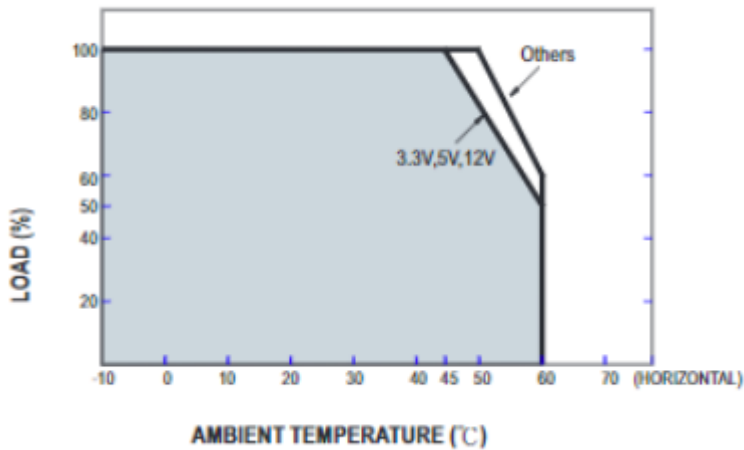
LED INDOOR ELECTRONIC RIBBON LIGHT
HARDWIRE DRIVER

MODEL	OUTPUT CURRENT	OUTPUT POWER	OUTPUT VOLTAGE
ULR-IN-HWDR-350W	0~18.8A	450W	24V

TYPICAL WIRING DIAGRAM:



DERATING CURVE:



STATIC CHARACTERISTICS:

